

Feature Operation

Auto Dial			
store	AutoDial		▶AutoDial
use			AutoDI
display	Disply	AutoDI	
Hold			
place a call on hold			
return to a held call			
Transfer			
Trans			▶Trans
Handsfree (if configured)			
activate			
switch to handset			
handset to handsfree			
Mute (On/Off)			
Conference			
Conf			▶Conf
Corporate Directory			
Shift			
Last Number Redial			
Ring Again			
activate	RngAgn		
when notified			▶RngAg
Quit	▶RngAg		
Call Forward			
activate	FWD		▶FWD
Quit	▶FWD		
reinstate	FWD		▶FWD
view number	Disply		▶FWD
Call Pickup			
			Pickup
Call Waitingpc			
answer			▶CWT
return to first call			
Message			
Directory			

Explanations

Legend	
	Lift the handset, or press the DN key, or press the Handsfree key.
	Replace handset, or press to end the call.
	Dial a number.



Press the line (DN) key.

▶AutpoDI The ▶ flashes when a feature is being programmed. The ▶ lights steadily when a feature is active.

Your i2002 Telephone Option Menu

Services Menu

Access the Services Menu

Select

The Services menu contains the Telephone Option, Virtual Office, and Branch Office menus (if Virtual Office and Branch Office have been configured for your telephone).

Telephone Option

Volume adjustment

Ringer	Select	/	Select	Quit	Quit
Handset Listen	Select	/	Select	Quit	Quit
Handsfree Listen	Select	/	Select	Quit	Quit
Headset Listen	Select	/	Select	Quit	Quit
Buzzer	Select	/	Select	Quit	Quit

Contrast adjustment

/

Select	Quit
--------	------

Language

/

Select	Select	Quit
--------	--------	------

Date/time format

/

Select	Quit
--------	------

Display diagnostics

/

Quit

Local Dialpad Tone

None	Short Click	DTMF
------	-------------	------

Ring type

/

Play	Select	Quit
------	--------	------

OnHook Default Path

/

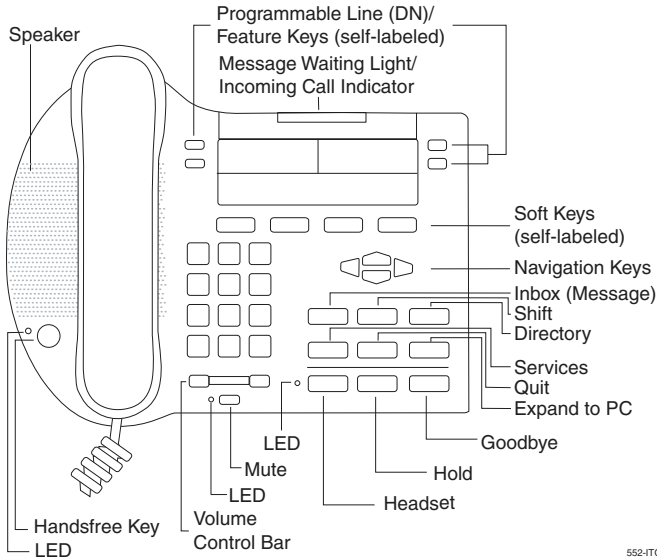
Select	Quit
--------	------

Set Feature Key label

Feature Key	Enter new label			
Select	Delete	Clear	More..	

For additional information on the operation of your internet telephone, please consult the *i2002 Internet Telephone User Guide*.

Introducing the i2002 Internet Telephone



i2002 Internet Telephone

For Meridian 1, Succession 1000, and
Succession 1000M

Quick Reference Card

